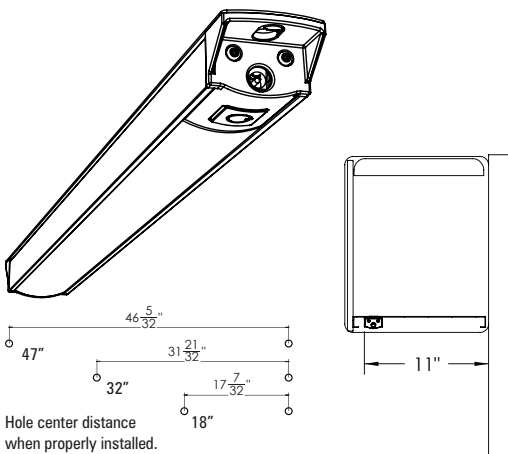


Executive 100

LED Undercabinet Light

The durable construction and design of the Executive 100 luminaire provides over 50,000 hours of service. Two mounting options available: screw mount or magnetic mount for wood or metal cabinets. Versatile lights can be daisy chained depending on your needs.



Screw Mount



SPECIFICATIONS			
Model	18"	32"	47"
# of LEDs:	9	18	27
Input Power:	11W	22W	33W
Fixture Efficacy:	52 lm/W		
CCT:	4100k		
Input Voltage:	24 Vdc		
Working Temp.:	-30° to +50° C		
Materials:	Anodized Aluminum Body with Polypropylene End Caps		
Dimensions:	Length x Width x Height		
	17.6" x 1.6" x .95"	32.1" x 1.6" x .95"	46.7" x 1.6" x .95"
Weight:	0.7 lbs.	1.3 lbs.	2.0 lbs.
Warranty:	5 years fixture & 3 years power supply		

Contact Hilux at:
 PO Box 206 | Hudsonville, Michigan USA
 Office: 616.896.1192 | Fax: 616.896.1194
 Email: sales@hiluxled.com
 Web: www.hiluxled.com

